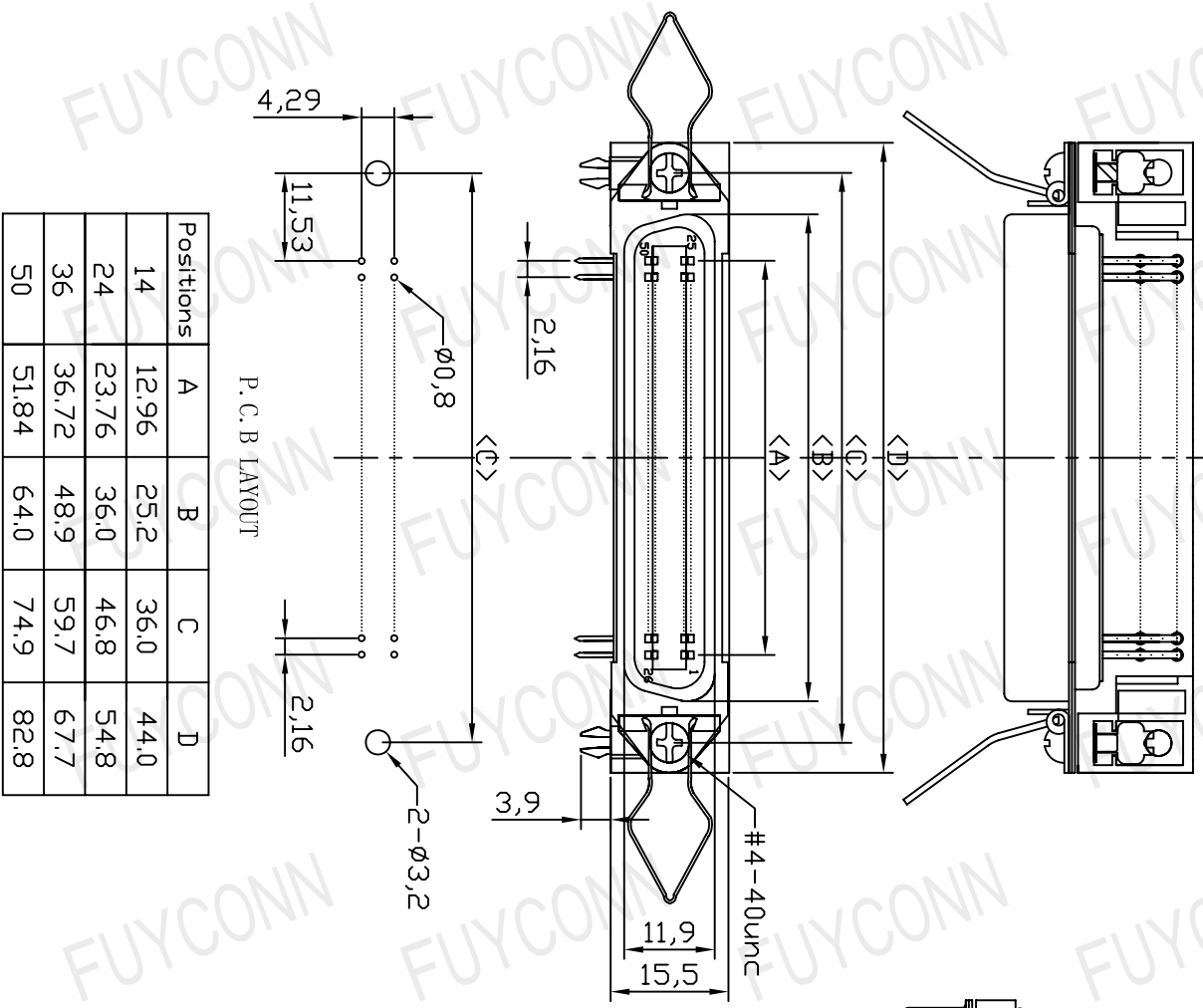
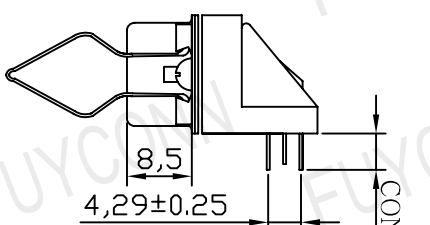


REV	DATE	DESCRIPTION
A	2009-4-8	



P.C.B LAYOUT

Positions	A	B	C	D
14	12.96	25.2	36.0	44.0
24	23.76	36.0	46.8	54.8
36	36.72	48.9	59.7	67.7
50	51.84	64.0	74.9	82.8

CONTACT LENGTH

Material & finish
SHELL:
steel Zinc plated, Tin plated
or Nickel plated steel
PIN CONTACT:
Phosphor bronze or brass
Gold Plated
INSULATOR:
PBT & Glass-fibre reinforced
UL-94-V0
CURRENT RATING:5Amp
DIELECTRIC STRENGTH:
1000V for one minute
INSULATOR RESISTANCE:
1000MΩ MIN.(at 500V DC)
CONTACT RESISTANCE:25mΩ Max. mated
TEMPERATURE:
-55°C to +105°C

57RR * S * A * 005

FILE NO:001~1000
CONTACT LENGTH(MM):
A:2.6 B:2.7 C:2.8
D:3.0 E:3.2 F:4.75 0:N/A

SHELL:
A: NICKEL PLATED

CONTACT PLATING:
A:GOLD FLASH B:3U * C:5U*
D:10U* E:15U* F:30U*

INSULATOR COLOR:
B:BLUE K:BLACK

CONTACT TYPE:
P:PLUG
S:SOCKET

NO. OF CONTACTS:
14 24 36 50



UNIT : mm

FUYCONN
东莞市复禹电子有限公司
DONG GUAN FUYCONN ELECTRONICS CO., LTD

MODEL NAME:
57-90度母DIP型圆头4*7锁
合3.9Z字片三角片勾耳

SELECT	1	2	3	EXTRA
DIN TOL	0.000	0.05	0.05	0.10
	0.00	0.10	0.15	0.20
	0.0	0.15	0.25	0.30
	0.	0.25	0.30	0.40
ANGLE	1.0°	3.0°	5.0°	

PART NO. 57RR*S**A*005
APPROVED BY:
CHECKED BY:
DRAW BY: 周胤或
FILE NO. FUY57005
SCALE:
DATE : 2009-4-8